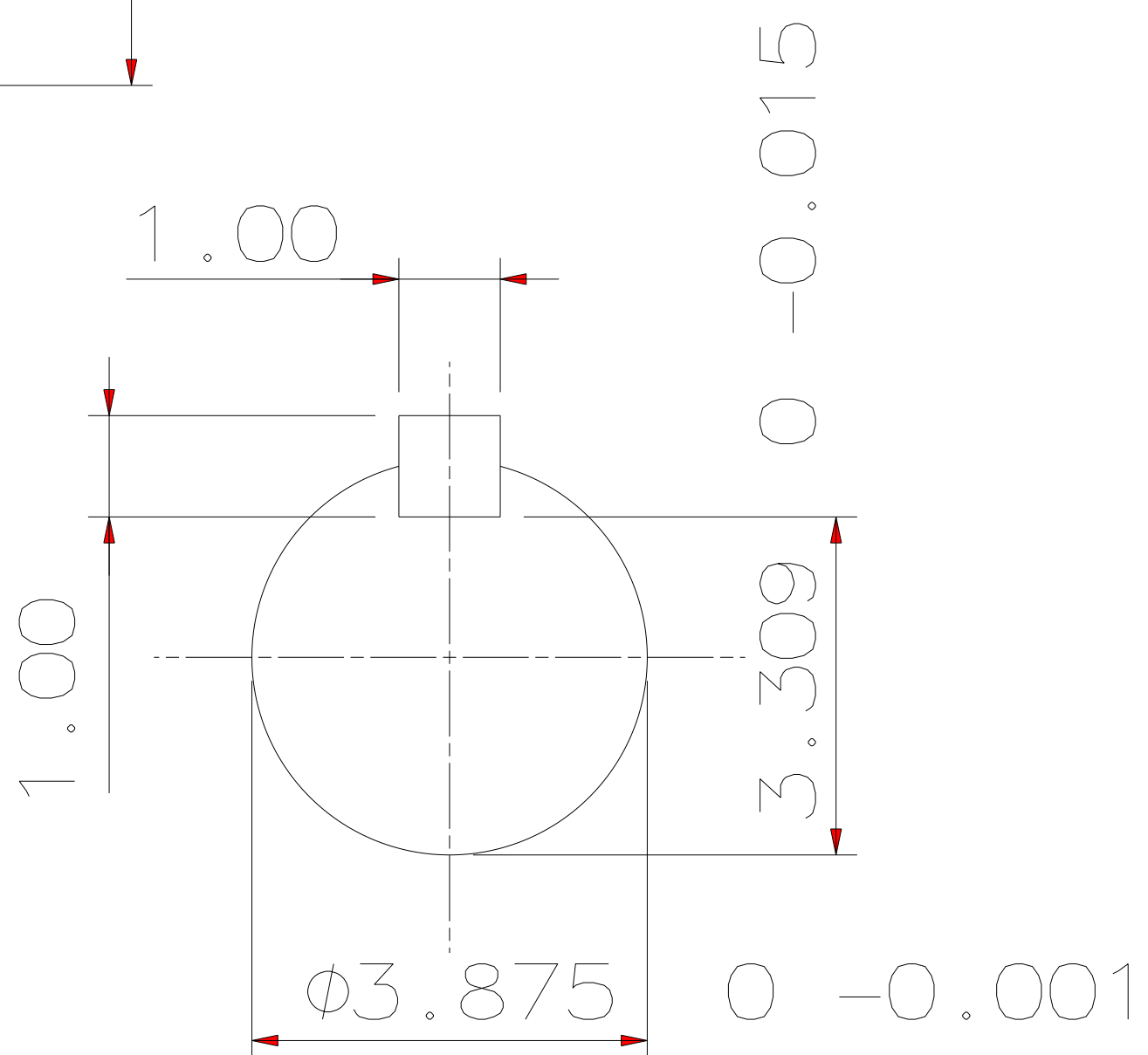
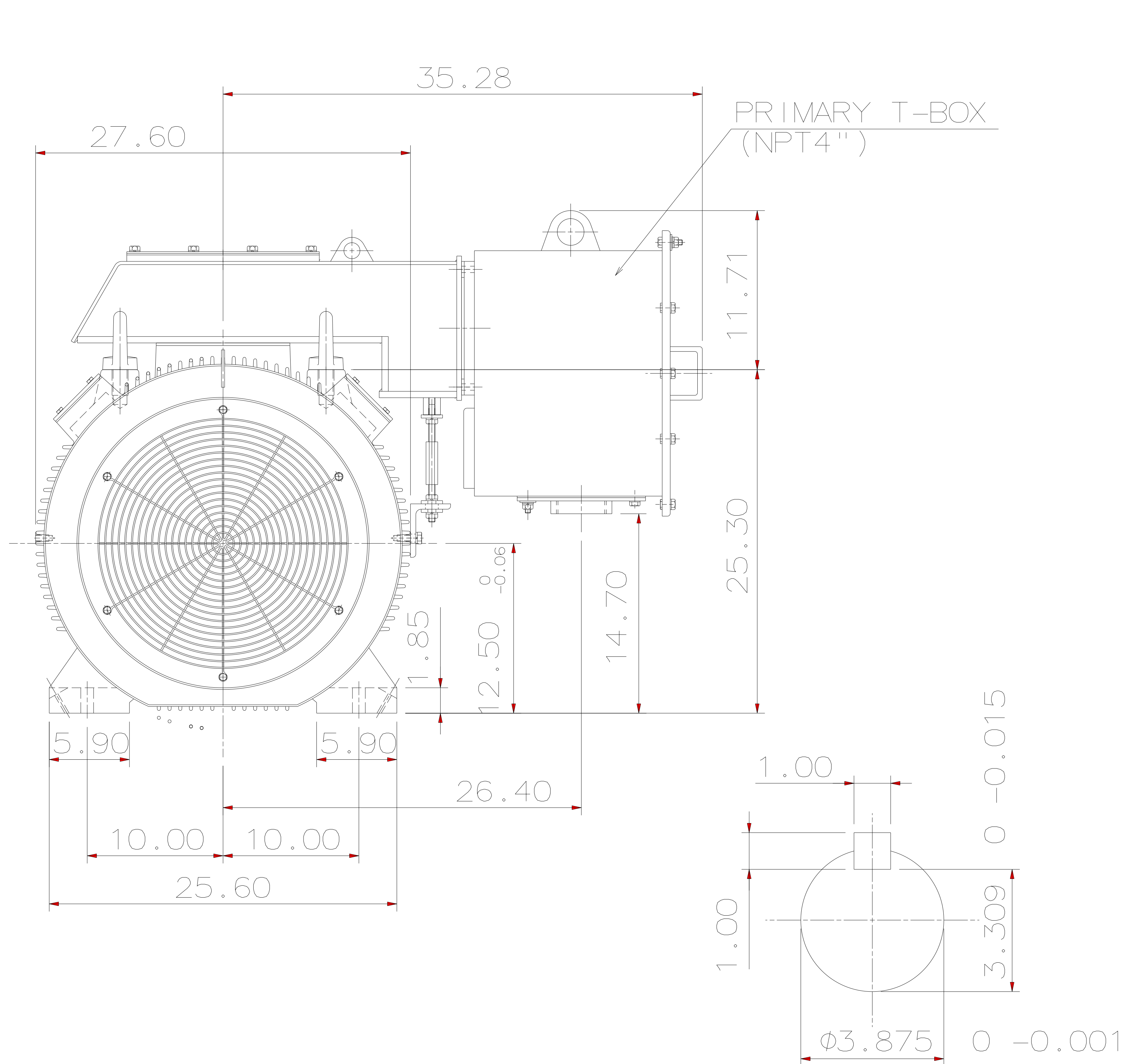
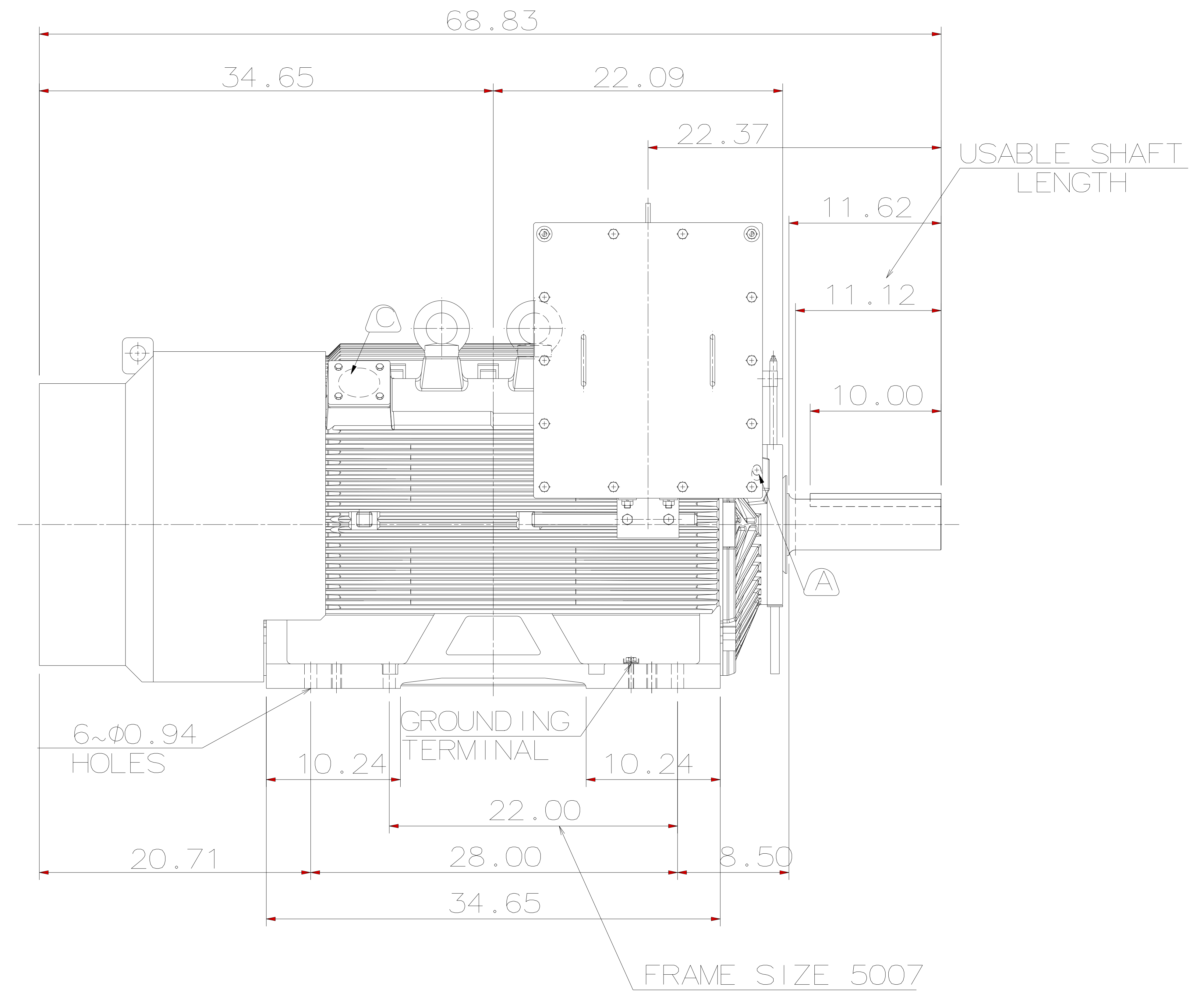


| TYPE | OUTPUT | | POLE | TIME RATING | VOLTAGE V | Hz | SYN. SPEED R.P.M |
|------|--------|-----|------|-------------|-----------|----|------------------|
| | HP. | kW. | | | | | |
| AFHH | 200 | 149 | 8 | CONT. | 2300/4000 | 60 | 900 |

TOTALLY ENCLOSED FAN-COOLED, TYPE. SQUIRREL-CAGE ROTOR



SHAFT END
(ENLARGED VIEW)



- NOTE:
1. DIMENSIONS IN inch
 2. FRAME NO. 5009B
 3. F CLASS INSULATION
 4. FOR DIRECT FLEXIBLE COUPLING
 5. ENCLOSURE: IP55
 6. BEARING SIZE: DRIVE-END NU324
OPP. DRIVE-END 6320C3
 7. MOTOR APPROX. WEIGHT: 4300 lb

Ⓚ FOR BEARING RTD, END BRACKETS SHALL BE PRE-DRILLED AND PLUGGED.
Ⓛ FOR AUXILIARY, FRAME SHALL BE PRE-DRILLED AND COVERD WITH STEEL PLATE.

| | | |
|-------|----------|---------------|
| DWN. | L. JHENG | APR. 22. 2019 |
| CHKD. | H. WANG | APR. 23. 2019 |
| APPD. | C. WANG | APR. 23. 2019 |

| DATE | | OUTLINE DIMENSIONS | |
|------------------------|--|-------------------------|---------|
| APRIL 14, 2020 | | 3-PHASE INDUCTION MOTOR | |
| CATALOG NO. : EPF2008R | | DWG NO. | REV: 01 |
| TEC Westinghouse | | 5A040C164 | |